



## EW2000 Pro Series Sine Wave Line Interactive UPS

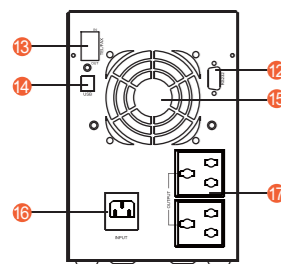
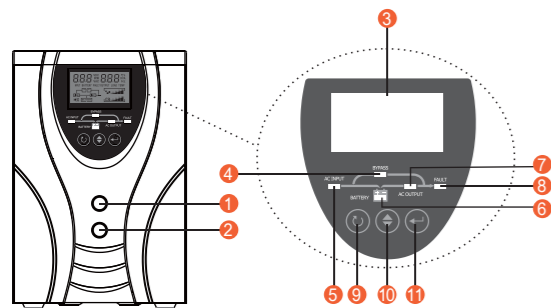
### Feature:

- Rated power 500W to 1000W
- Pure sine wave output
- High Battery Charging Capacity
- AC auto restart
- Built-in AVR function
- Overload and Short circuit protection
- Battery reverse polarity protection (Optional)
- Discharge protection
- Fault alarms and State Warnings
- Compact size, light weight & low noise
- Support USB, RS232 (Optional) monitoring function with free CD
- Rack version available

### Introduction:

It is a cost effective, intelligent UPS. The comprehensive LCD offers user-configurable and easy-accessible button adjustment such as frequency, buzzer etc.

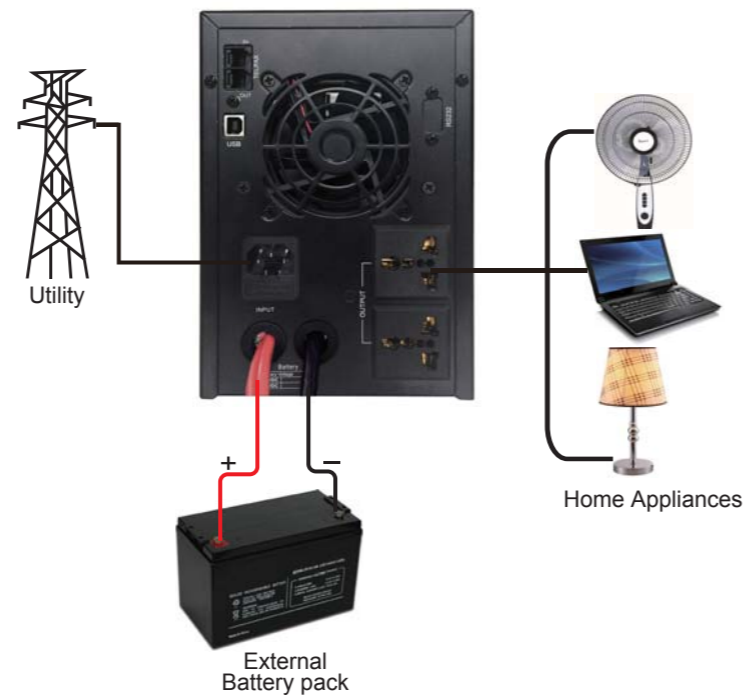
### LCD Display Information



Back Panel

- |                  |               |
|------------------|---------------|
| 1. POWR ON       | 10. SEL       |
| 2. POWER OFF     | 11. ENTER     |
| 3. LCD           | 12. RS232     |
| 4. Bypass LED    | 13. Fax/Tel   |
| 5. AC input LED  | 14. USB       |
| 6. Battery LED   | 15. Fan       |
| 7. AC output LED | 16. AC input  |
| 8. Fault LED     | 17. AC output |
| 9. ESC           |               |

### Inverter Connection



### Specification

Model	EW20-750VA Pro	EW20-1000VA Pro	EW20-1500VA Pro		
<b>Default Battery System Voltage</b>	12VDC	24VDC			
<b>OUTPUT</b>	Rated Power	500W	700W	1000W	
	Power Factor	0.7			
	Waveform	Pure Sine Wave			
	Output Voltage Regulation	Inverter Mode: 230VAC(+/-2% RMS), AVR mode: 195VAC-240VAC			
	Output Frequency	50Hz/60Hz +/-0.2 Hz			
	Inverter Efficiency(Peak)	>80%			
	Line Mode Efficiency	>95%			
	Transfer Time	Typical 6ms 10ms(max)			
<b>AC INPUT</b>	Input Voltage Regulation	220/230/240VAC			
	Input Voltage Range	140~275VAC+/-2%			
	Low Voltage Transfer Point:	140VAC+/-2%			
	Low Voltage Recover Point:	150VAC+/-2%			
	High Voltage Transfer Point:	280VAC+/-2%			
	High Voltage Recover Point:	270VAC+/-2%			
	Low Frequency Transfer Point:	45+/-0.2HZ			
	Low Frequency Recover Point:	46+/-0.2HZ			
	High Frequency Transfer Point:	65+/-0.2HZ			
	High Frequency Recover Point:	64+/-0.2HZ			
	Frequency Range	50HZ/60HZ +/-0.2HZ			
	Auto Start	>130VAC			
	<b>BATTERY INPUT</b>	Battery Low Voltage Alarming Point	11.0VDC	22.0VDC	
		Battery Low Voltage Shut-down Point	10.5VDC	11.0VDC	
Battery High Voltage Shut-down Point		15.4VDC	30.8VDC		
Battery Type&Number		12V 9AH*1	12V 7AH*2	12V 9AH*2	
Static Leakage Current		<5mA			
Charging Current		2A			
Backup Time		>2minutes (50% load)			
<b>BYPASS &amp; PROTECTION</b>		Waveforms	Pure Sine Wave		
		Frequency	50Hz or 60Hz		
		Overload Protection	110%~125%R Load fault after 30S		
	125% ~150%R Load Fault after 3s				
	>150%R Load Fault after 500ms				
	Other protections	Overtemperature Protection, Bypass Output Protection, Battery Low Voltage Alarming, Battery Low Voltage Protection, Battery High Voltage Protection			
	Bypass Breaker Rating	10A			
Max Bypass Current	10A				
<b>MECHANICAL SPECIFICATION</b>	Dimensions	405*145*210mm			
	Net Weight(kg)	14KG	18KG	18.5KG	
	Cartons Dimension(W*H*D)	480*290*225mm			
	Gross Weight (kg)	15KG	19KG	19.5KG	
	Operation Temperature	0°C~40°C 0~90% relative humidity (non-condensing)			
<b>OTHER</b>	Temperature	-15°C to 55°C			
	Altitude	≦ 1000M			
	Nosie	≦ 55dB			
	Display	LED+LCD			
	Cooling	Air Cooling			
	Fan starts	>45 C fan start, <30 C fan stop			
	Commication Port	RS232 or USB			

\* Product specifications are subject to change without further notice.